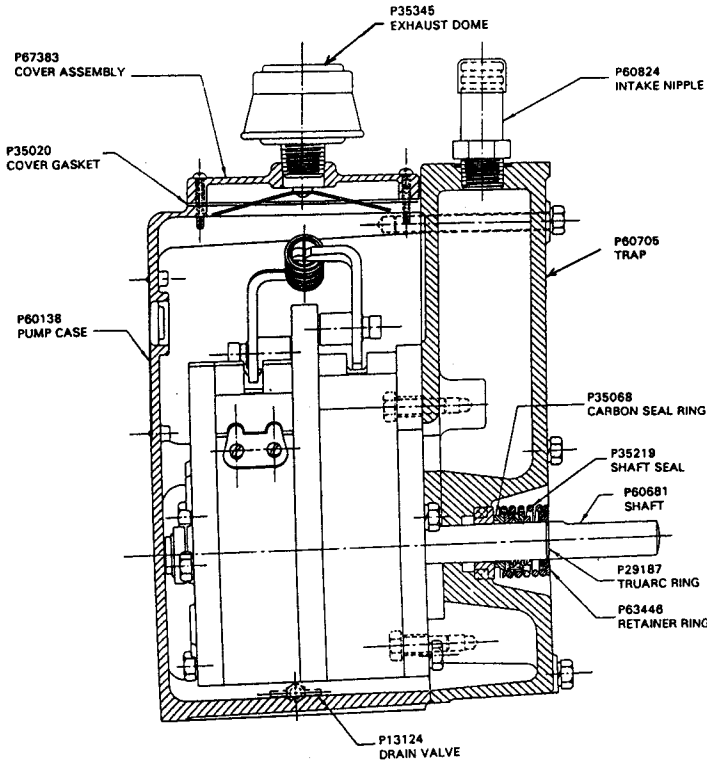


V. SPECIFICATIONS

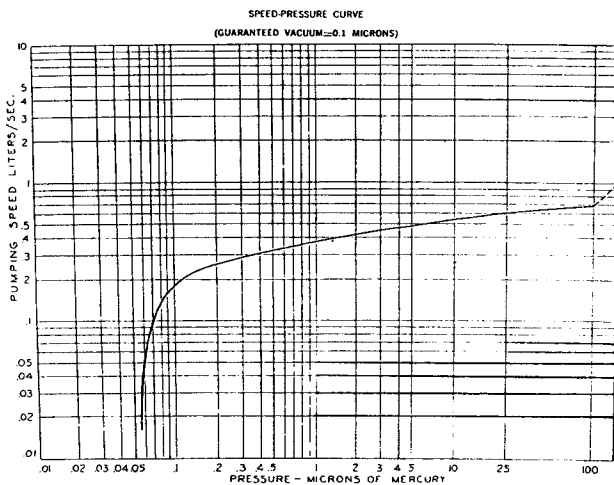
Megavac Vacuum Pump

Number of Stages		2
Free-Air Displacement,	(L/M)	57
	(CFM)	2.01
Pressure	(MIL)	1x10 ⁻⁴ Torr
Pump Speed	(RPM)	450
Motor	(HP)	1/2
Weight	(LBS)	Approx. 50
	(KG)	22
Oil Capacity	(QTS)	3 QTS.
Inlet Hose Fitting		1/2 NPT

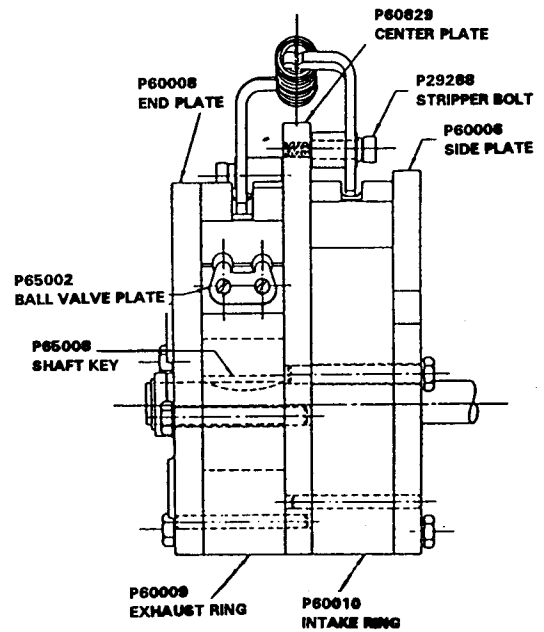
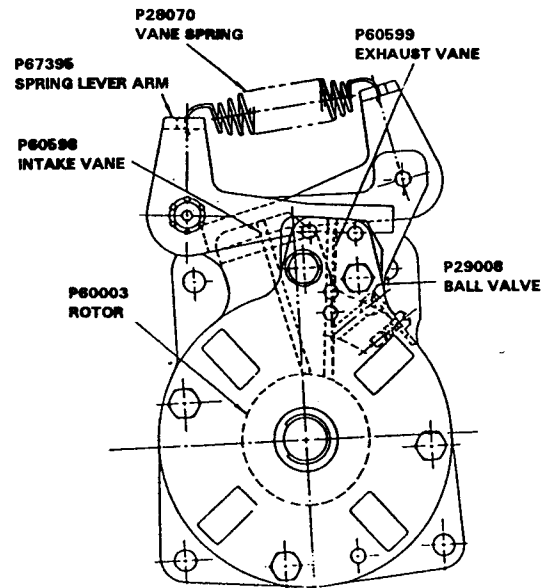
MEGAVAC SIDE DIAGRAM



MEGAVAC PERFORMANCE CURVE



MEGAVAC PUMP MODULE



PARTS LIST

ITEM	DESCRIPTION	PART NUMBER	QUANTITY	
			PER	PUMP
1	Megavac Unmounted, No Motor or Base	92001-000		
2	Ball Valve Retainer Plate	P65008	1	
3	Base	P65498	1	
4	Beltguard/Mounting Panel	91708-000	1	
5	Case - with name plate & Oil Level Window	P60138	1	
6	Center Plate	P60829	1	
7	Cover Case	P60138	1	
8	Cover Gasket	P35020	1	
9	Dowel Long Pin	P29174	1	
10	Dowel Short Pin	P29175	1	
11	Drain Valve	P13124	1	
12	Electric Cord	P19300	1	
13	End Plate	P60008	1	
14	Exhaust Cover Assembly	P67383	1	
15	Exhaust Dome	P35345	1	
16	Exhaust Ring	P60009	1	
17	Exhaust Vane	P60599	1	
18	Intake Nipple	P60824	1	
19	Intake Ring	P60010	1	
20	Intake Vane	P60598	1	
21	Motor	P24147	1	
22	Oil Sight Glass	P36052	1	
23	Rotor	P60003	2	
24	Shaft	P60681	1	
25	Shaft Key	P65008	2	
26	Shaft Seal Assembly	P35219	1	
27	Side Plate	P60006	1	
28	Spring Lever Arm	P67395	2	
29	Stripper Bolt	P29288	2	
30	Trap	P60705	1	
31	Trap Gasket	P27187	1	
32	Truarc Ring	P29187	2	
33	V-Belt	P27114	1	
34	Valve Ball	P29008	2	
35	Vane Spring	P28070	2	
		P35068 *		
		P63446 *		

* Part of Shaft Seal Assembly, parts can not be ordered seperately.