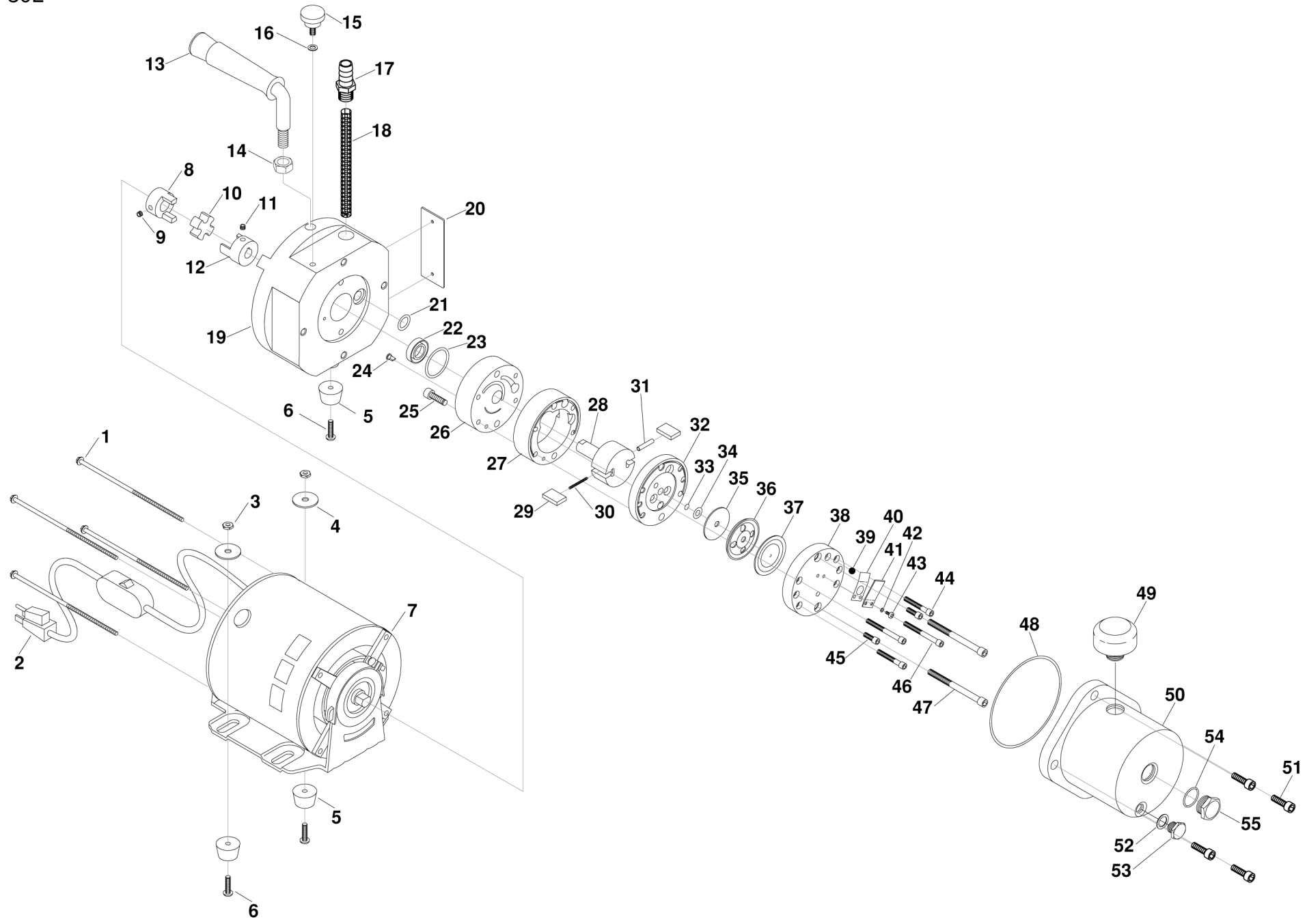


30L



HYVAC Direct Drive 30L Parts List

ITEM	DESCRIPTION	PART NUMBER	QUANTITY
1.	Motor Thru-Bolts	P29396	4
2.	Electric Line Cord with Switch	P38134	1
3.	Motor Base Nut	P110050	2
4.	Motor Mounting Washer	P110097	2
5.	Bumper Foot	P27023	3
6.	Foot Mounting Bolt	P110015	3
7.	Motor (variable)	P24236	1
8.	Motor Half Coupling	P36407	1
9.	Motor Coupling Hex Nut	P110115	1
10.	Insert Spider Coupling	P36408	1
11.	Pump Coupling Hex Nut	P110115	1
12.	Pump Half Coupling	P36405	1
13.	Pump Handle	P61863	1
14.	Pump Handle Nut	P61863	1
15.	Gas Ballast Knob	P26477	1
16.	Gas Ballast O-ring	P26265	1
17.	Hose Nipple	P69263	1
18.	Intake Screen	P29696	1
19.	Pump Mounting Plate	P61851	1
20.	Name Plate	P25421	1
21.	Intake O-ring	P27262	1
22.	Shaft Seal	P36393	1
23.	Shaft Seal O-ring	P27264	1
24.	Gas Ballast Rubber	P27249	1
25.	Intermediate Plate Bolt	P110005	1
26.	Intermediate Plate	P61856	1
27.	Intake Stator	P61855	1
28.	Intake Rotor	P77184	1
29.	Intake Vane	P26480	2
30.	Vane Spring	P28148	1
31.	Vane Spring Pin	P61861	1
32.	End Plate #1	P61857	1
33.	Rubber Cushion	P27256	1
34.	Rulon Seal	P26541	1
35.	Exhaust Valve Washer	P27226	1
36.	Insert Spacer	P77259	1
37.	Valve Assembly	P77189	1
38.	End Plate #2	P61858	1
39.	Rubber Ball	P27247	1
40.	Flutter Valve	P28149	1
41.	Flutter Valve Limiter	P66350	1

HYVAC Direct Drive 30L Parts List

ITEM	DESCRIPTION	PART NUMBER	QUANTITY
42.	Lock Washer	P110040	1
43.	Machine Screw	P110003	2
44.	Bolt	P110006	2
45.	Bolt	P110004	2
46.	Bolt	P110010	2
47.	Bolt	P110009	2
48.	O-ring Housing	P27208	1
49.	Exhaust Dome	P26474	1
50.	Aluminum Drain Housing	P62074-1	1
51.	Drain Housing Bolt	P110008	4
52.	Oil Drain Plug O-ring	P27261	1
53.	Oil Drain Plug	P36396	1
54.	Oil Sight Glass O-ring	P27263	1
55.	Oil Sight Glass	P36394	1
