

HYVAC PRODUCTS, INC.

MAIL: P.O. BOX 389 • PHOENIXVILLE, PA • 19460-0389 • U.S.A.

PLANT: 201 NORTH 5TH AVENUE • ROYERSFORD, PA • 19468 • U.S.A.

610-792-0500 PHN • 610-792-0600 FAX

EMAIL jeff@hyvac.com

INTERNET [HTTP://WWW.HYVAC.COM](http://www.hyvac.com)

PressoVac RP Vacuum Pumps



97000-110 PressoVac RP 70 Vacuum Pump

Ultimate vacuum is 28 inches of mercury vacuum and pump has a free air flow capacity of 70 liters per minute (2.5 CFM). The are pump weighs 15.5 lbs. and measure 8"W x 5.5"H x 9.25"L. 1/3 HP motor and 1/4" FNPT ports.

97000-115 PressoVac RP 125 Vacuum Pump

Ultimate vacuum is 28 inches of mercury vacuum and pump has a free air flow capacity of 125 liters per minute (4.4 CFM). The are pump weighs 16.0 lbs. and measure 8"W x 5.5"H x 9.25"L. 1/3 HP motor and 1/4" FNPT ports.

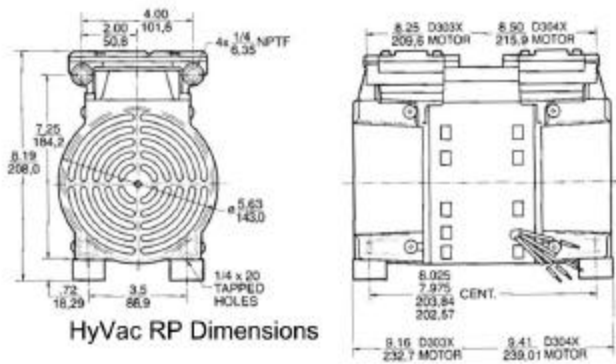
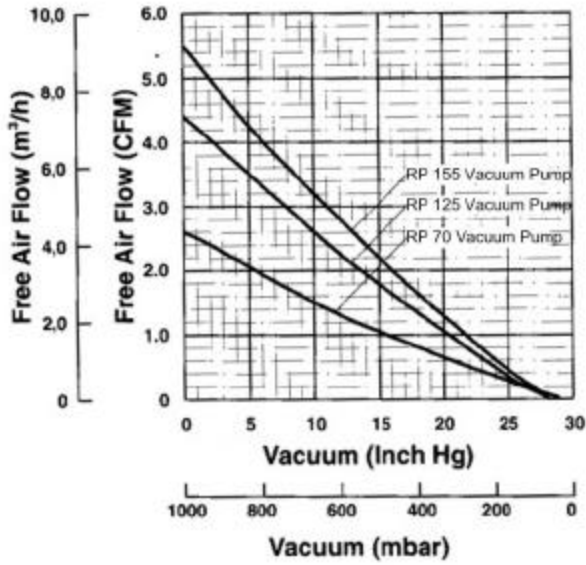
97000-120 PressoVac RP 155 Vacuum Pump

Ultimate vacuum is 28 inches of mercury vacuum and pump has a free air flow capacity of 155 liters per minute (5.4 CFM). The are pump weighs 16.0 lbs. and measure 8"W x 5.5"H x 9.25"L. 1/3 HP motor and 1/4" FNPT ports.

HYVAC RP, rocking piston, pumps are oil free modern, continuous duty, medium vacuum pumps featuring a clean, functional design, which provides high performance. They are portable and quiet. They are suitable for work to 28" of mercury vacuum. They are a good choice for vacuum filtering or other applications where water contamination may be a problem. The diaphragms are replaceable and chemically resistant configurations are available to deal with other types of contaminated vacuum applications. They are oil free pumps and can be considered for continuous (24/7) duty. Pumps listed are 115V/60Hz. Other electric configurations are available including 220V power options and 50Hz operation.

PressoVac RP Vacuum Pumps

Flow Characteristics



For More Information Contact
HyVAC Products
1-800-628-0850